

LUP10-LCPH

Summary

LUP10-LCPH is a constant current output mode LED driver. The output and dimming circuit are also completely in accordance with the new regulations with isolation to ensure the users and luminaire system during installation.



Product Features

- Single channel output, output current level selectable by DIP S.W.
- Support triac dimming function
- Dimming range: 1-100%, Dimming effect smooth, no flicker
- Protections: Short circuit, Over load
- Suitable for indoor LED lighting application



Application

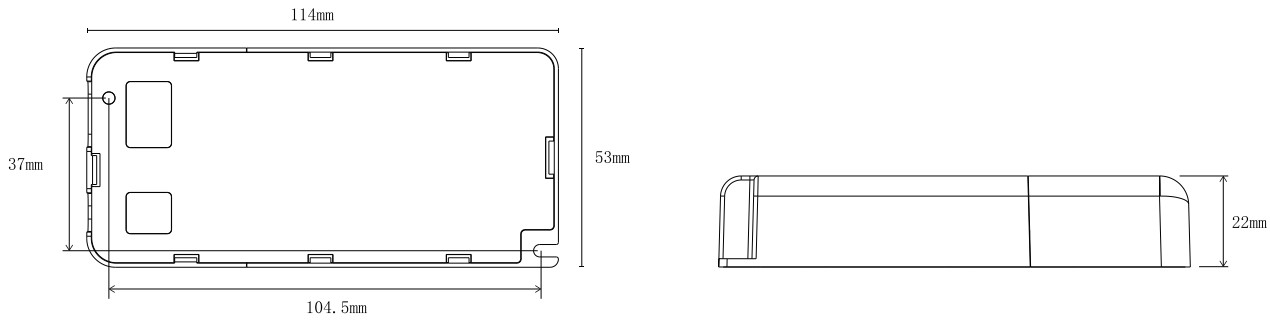


Technical Parameters

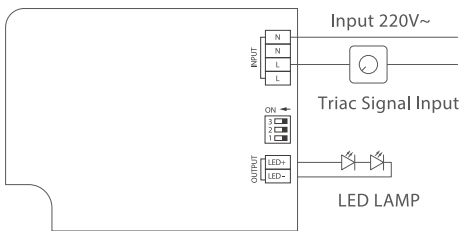
| | | | | | |
|--------------|------------------------------------|--|---|---|---------------------------------------|
| Model | LUP10-LCPH | | | | |
| Input | Efficiency | >68%@230VAC, Full load | | | |
| | Voltage | 220VAC-240VAC | | | |
| | Frequency Range(Hz) | 50/60Hz | | | |
| | Power Factor | 0.87@230VAC, Full load | | | |
| | Power | 13.96W | | | |
| | THD(full load) | <35%@230VAC | | | |
| | AC Current(max) | 0.075Amax | | | |
| | Standby power | <3.5W | | | |
| | Inrush Current(max) | Cold start, <30A@230VAC | | | |
| Output | Current(mA)/Voltage (VDC)/Power(W) | 100mA/9-42V/4.2W 150mA/9-42V/6.3W | 190mA/9-42V/7.98W *210mA/9-42V/8.82W | 240mA/9-42V/10.08W 260mA/9-38V/9.88W | 300mA/9-33V/9.9W 350mA/9-27V/9.45W |
| | Ripple Current | <3% | | | |
| | Channel | 1 | | | |
| | Current Tolerance | ±5% | | | |
| | Non-Load Max Voltage | <52V | | | |
| | Voltage Range | 9-42V | | | |
| | Turn on delay Time | <0.5s, at 230Vac | | | |
| Function | Dimming Type | Triac Dimming | | | |
| | Dimming Range | 1%-100% | | | |
| Protection | Short Circuit | Close output, recovers automatically after fault removed | | | |
| | Over Load | When the output voltage is exceeded, the output current decreases and, recovers automatically when the load is red | | | |
| Safety & EMC | Surge | L-N>0.5KV | | | |
| | Withstand Voltage | I/P-O/P: 3750VAC/1min/10mA; | | | |
| | Safety Standards | EN61347, EN62384 | | | |
| | EMC Eission | EN55015, EN61000-3-2 | | | |
| | EMC Immunity | EN61000-4-2,3,4,5,6,8,11; EN61547 | | | |
| Others | Working Temp., Humidity | -20°C~45°C, 20-50%RH | | | |
| | Storage Temp., Humidity | -40°C~85°C, 5-70%RH | | | |
| | Tc | 80°C | | | |
| | Material | PC | | | |
| | IP Rating | IP20 | | | |
| | Lifetime | 50,000h@ta:50°C | | | |
| | Warranty Condition | 5 Years | | | |
| | Switch Cycle | >25,000 tims | | | |
| | Packing(weight) | Net weight: --g±5%/PCS; 100PCS/Carton; --kg±5%/Carton; Carton Size:389*301*241mm(L*W*H) | | | |
| Dimension | 114*53*22mm(L*W*H) | | | | |

*Constant Current Tolerance 210mA ±10%;

Dimension(mm)



Wiring Diagram



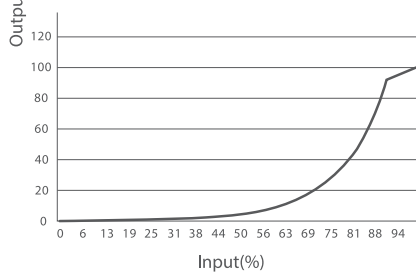
Current Selection Table

LUP10-LCPH is a multi-current dimming driver, output current level selectable by DIP S.W., as the following:

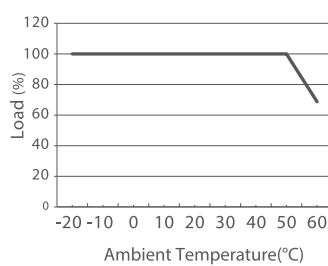
| | | | | | | | | | | |
|----|-----|-------|-------|-------|-------|-------|-------|-------|-------|--|
| | | | | | | | | | | |
| ON | OFF | 100mA | 150mA | 190mA | 210mA | 240mA | 260mA | 300mA | 350mA | |
| | | 9-42V | 9-42V | 9-42V | 9-42V | 9-42V | 9-38V | 9-33V | 9-27V | |

Remark: Function default setting is: 100mA (@switch are all OFF state)

Dimming Curve



Derating Curve



Cautions

- 1.This product should be installed by qualified personnel.
- 2.This product is non waterproof, need to avoid sun and rain.In case of outdoor use, please ensure it is mounted in a water proof enclosure.
- 3.Good heat dissipation conditions extend product life.Please install the product in a well-ventilated environment.
- 4.Please make sure LED power supply output voltage, current is used to meet the product requirements.
- 5.Please ensure that adequate sized cable is used from the controller to the LED lights to carry the current. Please also ensure that the cable is secured tightly in the connector.
- 6.For safety reasons, it is recommended to input 0.75-1.5mm² PVC or rubber cable and output 0.75-1.0mm² PVC or rubber cable, and ensure that the wiring is firm, so as to avoid wire overheating or poor contact triggering accidents. Flat power cord is not applicable.