



■ Approve



■ Features

- Class II, SELV, independent
- Input Voltage 220-240VAC
- Protections: SCP/OLP/OVP
- Power Factor >0.95
- Efficiency ≥89%
- Support DALI II, Push Dimming
- 5 years warranty

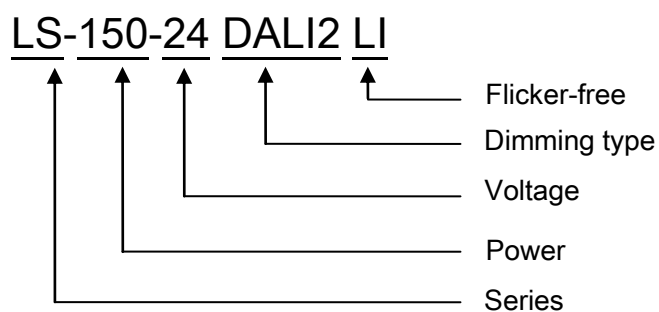
■ Applications

- LED strips
- Linear light
- Troffer light

■ Description

LS-150-24 DALI2 LI is a 150W constant voltage LED driver that operates from 198-264Vac input with 24V output voltage. With its compact dimensions from 290 x 45 x 30.5mm it is easy to integrate in LED strips, linear light and troffer light products. To ensure trouble-free operation, protection is provided against output short circuit and over Load.

■ Model code



150W Constant Voltage-LS Series

LS-150-24 DALI2 LI

■ Specification

Input	Rated input voltage	220-240VAC
	Range of input voltage	198-264VAC
	Frequency(Hz)	50/60 Hz
	Power Factor	> 0.95@220-240VAC, Full load
	Input Current max	1A MAX. @Full Load,198VAC
	Start-up time	< 1S
	Unload Power Consumption	≤0.5W
	Inrush Current	90A Max.
	THD	<10%
	Leakage Current	< 0.7mA(240VAC)
	Output	Constant Voltage
Current Range		6.25A Max.
Rated power		150W Max.
Voltage Accuracy		±3.5%
Voltage Regulation		±1% @Full Load
Load Regulation		±1%
Hold-up Time		≥5ms/230VAC @ full load
Ripple& Noise *Note.2		≤1%@Full Load,240VAC
Output LF current ripple(<120Hz)		≤1%@Full Load,240VAC
PWM Frequency		4kHz
Efficiency(Typ.) *Note.3		≥89%
Dimming	Dimmable	YES
	Dimming mode	DALI II, Push
	Dimming current range	1%~100%
Protection	Over Load Protection	105-150% rated output power Protection type: Auto Resume
	Short circuit Protection	Protection type: Auto Resume
	Over Temperature protection	Protection type: Auto Resume
Environment	Operating Temperature	-20°C...+45°C
	tc	85°C
	Storage Temperature	-20°C...+60°C
	Life time	> 50,000h@Tc max
	Temperature coefficient	±0.03%/°C(0-40°C)
Others	Humidity	20%-95%RH
	Dimension	290X45X30.5(LXWXH)mm
Safety & EMC	Safety standards	EN 61347-1; EN61347-2-13; EN62384
	Withstand voltage	Input-Output : 3750V/5mA/1min
	Isolation resistance	Input-Output : ≥4MΩ@500VDC
	EMI	EN55015; EN61000-3-2 Class C; EN61000-3-3
	EMS	EN 61547; EN 61000-4-2; EN 61000-4-5 —1000V;
Note	1.All parameters NOT specially mentioned are measured at 240VAC input , full load and 25°C of ambient temperature. 2.Ripple & Noise are measured at 20MHz of bandwidth by using a 300mm twisted pair-wire terminated with a 0.1uF & 47 uF parallel capacitor. 3.Efficiency will be about 1% lower if measured immediately after startup	

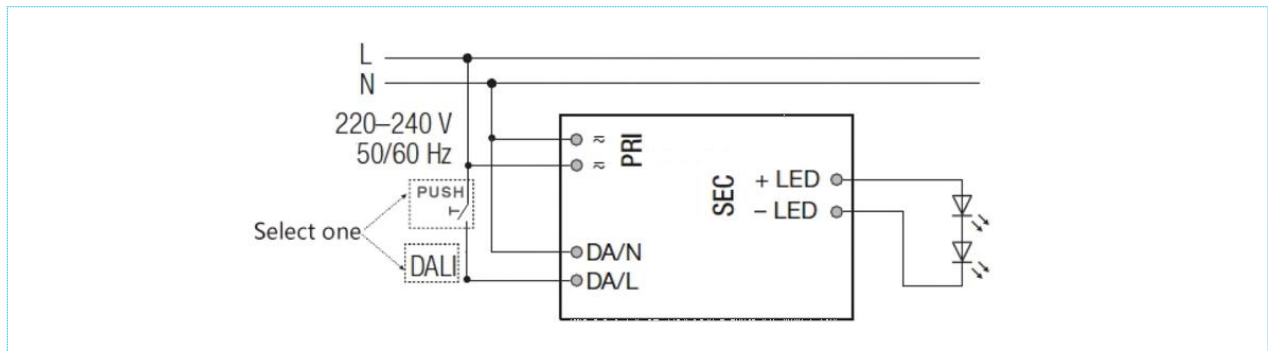
150W Constant Voltage-LS Series

LS-150-24 DALI2 LI

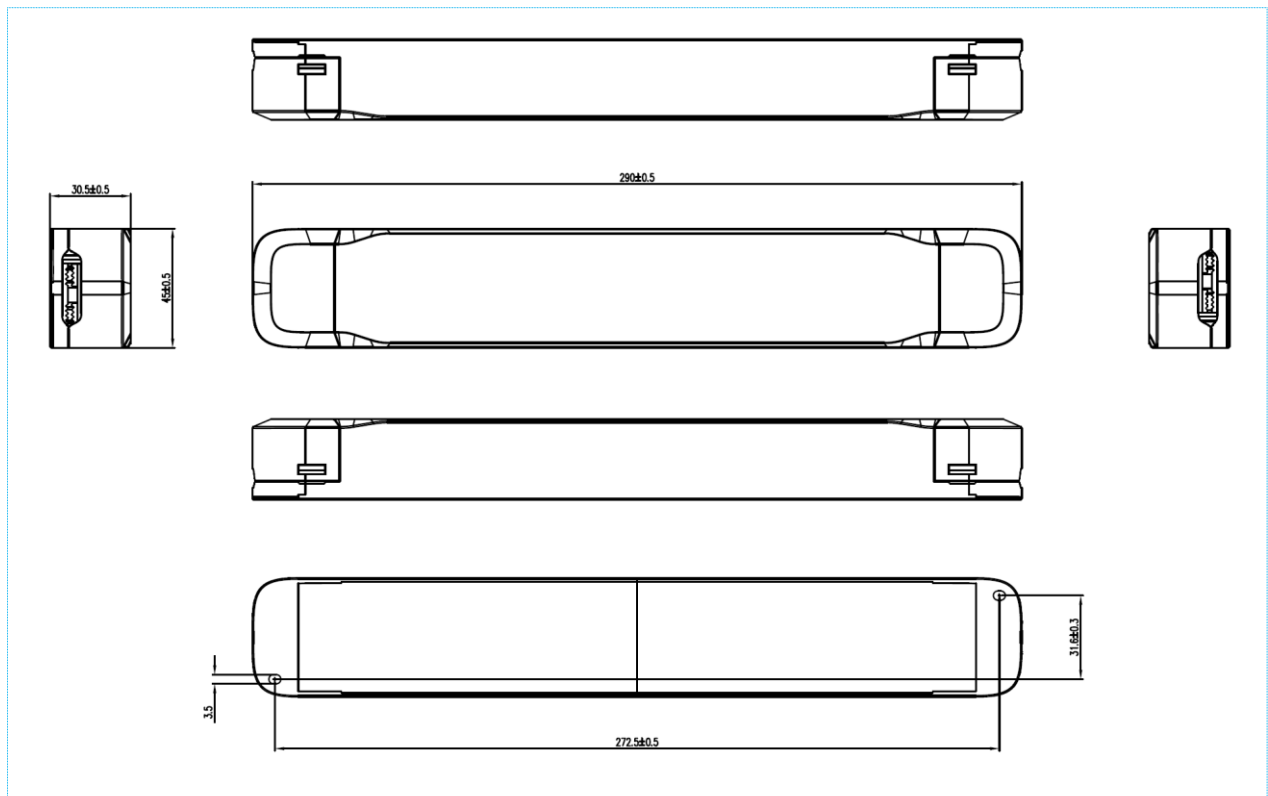
Model list

No.	Model number	Input			Output		
		Voltage (VAC)	Max.Current (A)	Frequency (Hz)	Constant voltage (V)	Normal working current (A)	Max. Power(W)
1	LS-150-24 DALI2 LI	220-240	1	50/60	24	0-6.25	150

Wiring diagram



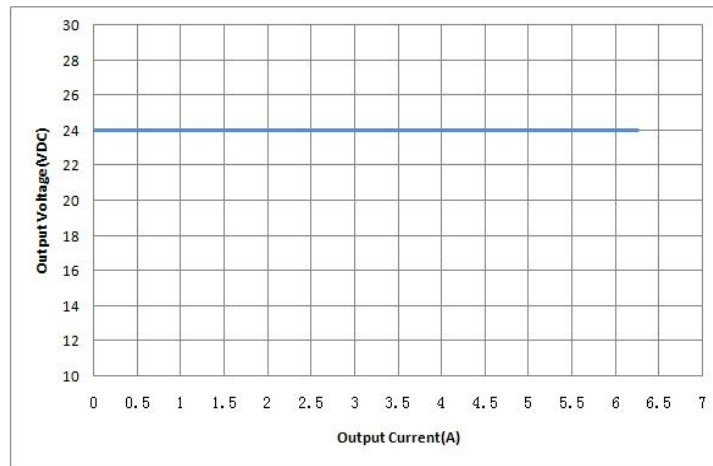
2D diagram



150W Constant Voltage-LS Series

LS-150-24 DALI2 LI

■ Operating window



— Operating window 100%