



### miniXLED4 CV Casambi

Item No.: 10.542



- 1...4 CH LED-dimmer constant voltage
- Flexible applications due to profiles
- Control: Casambi App and all Casambi compatible devices
- Output current  
max. 2.5 A/ CH | 8 A total



# CASAMBI

### Brief description

LED ballast with tiny dimensions for comfortable and flexible control of LEDs with constant voltage (usually LED strips or panels). The device can be controlled via the Casambi app, available for iOS and Android or with suitable wireless push buttons.

### Operation modes

Casambi luminaire profiles and use cases: The device has different operating modes (so-called Casambi profiles) with the profiles the functionality and the parameters are determined.



Easy commissioning and control by Casambi App

### Casambi profiles (Operation modes)

Icon	Profile name	Description	CH
	miniXLED4 1CH	One channel PWM dimmer	1 CH
	miniXLED4 2CH	Two channel PWM dimmer	2 CH
	miniXLED4 4CH	Four channel PWM dimmer	4 CH
	miniXLED4 RGB	RGB PWM Dimmer 3 channel with color mixing	3 CH
	miniXLED4 RGB/White	RGB PWM Dimmer 4 channel with color mixing + extra channel for white	4 CH
	miniXLED4 RGBW	RGB PWM Dimmer 4 channel with color mixing, white is mixed in	4 CH
	miniXLED4 TW	One Channel Tunable White PWM Dimmer	2 CH
	miniXLED4 TW (lin)	One Channel Tunable White PWM Dimmer (linear curve)	2 CH
	miniXLED4 TW (WW - CW Dimmer)	One channel Tunable White PWM dimmer, controls both Warmwhite and Coldwhite channels via a single slider	2 CH
	miniXLED4 TW/TW	Two Channel Tunable White PWM Dimmer	4 CH
	miniXLED4 TW/TW (lin)	Two Channel Tunable White PWM Dimmer (linear curve)	4 CH



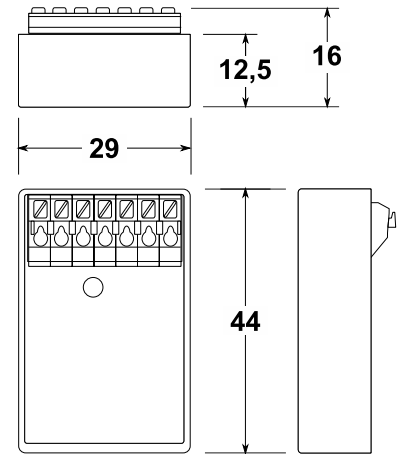
# 1-4 Casambi LED-Converter 10-24V



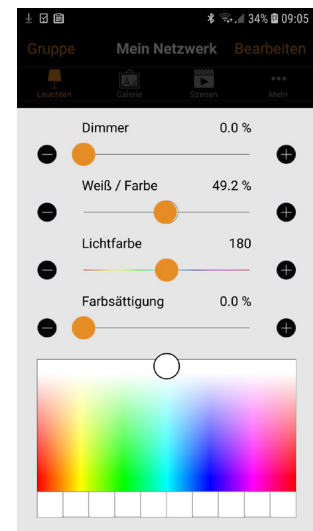
## miniXLED4 CV Casambi

Item No.: 10.542

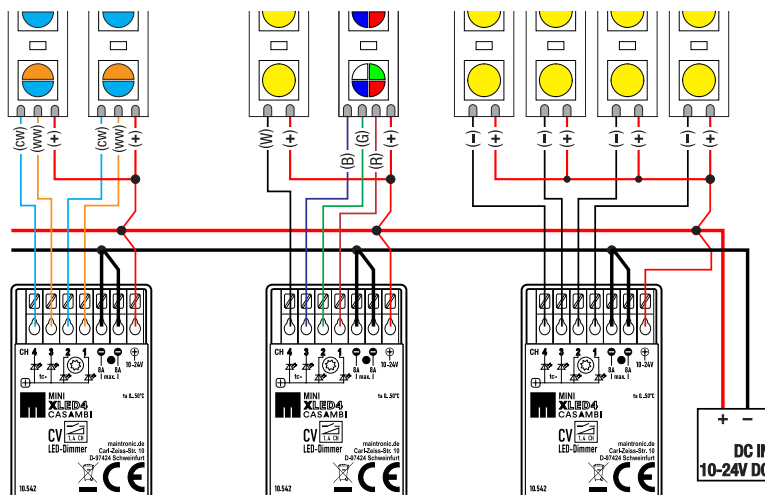
Technical Data			
Operation Voltage	Pulse-proof constant voltage power supply	10...24V DC	
Power consumption	Standby / Operation (Efficiency)	< 0,2W / 2W (max. 99,5%)	
Outputs	4 output channels	common anode (+)	
Output power	on voltage	Current (channel)	
	12V DC	6A	10A
	24V DC	6A	10A
Terminal wiring	Push-in spring connectors	1,5mm <sup>2</sup> solid conductor	
		1,5mm <sup>2</sup> fine-stranded conductor	
	Striping length	9 mm (+/- 0.5 mm)	
Min. load		none	
Dimming method		Pulse width modulation (PWM)	
Operating and display elements		LED	
Protections	Two-stage overtemperature protection	Software at 90°C	
		Hardware fuse >110°C	
Protocoll	Casambi Bluetooth Low Energy	2,4...2,483 GHz; 4 dBm	
Enviroment	Type of protection housing	IP20	
	Type of protection connectors	IP40	
	Protection class	Class II	
	Temperature (ambient) ta	0°...+50° Celsius	
	Temperature (critical) tc	+75° C	
	Humidity	15% ... 90% non-condensing	
Approbation		CE, UKCA	
Design	Construction	Mini Installation housing	
	Mounting	In wall boxes or into devices with protection class II	
	Dimensions (length x width x height) mm	44 x 29 x 16 mm	
	Weight	0,014 kg	
	Housing	plastics, black	
Customs	HS-Code/ TARIC-Number	85365080	



Dimensions



Screenshot APP profile  
miniXLED4 4CH RGBW



Carl-Zeiss-Str. 10-14  
97424 Schweinfurt / Germany

Tel. +49(0)9721-7766 0  
Fax. +49(0)9721-7766 18

www.maintronic.de  
info@maintronic.de

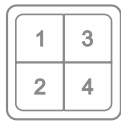
Valid from version: H1 F1 - Document number: 10542\_TD\_en\_A4\_miniXLED4CVCasambi\_20250606



miniXLED4 CV Casambi

Art. Nr.: 10.542

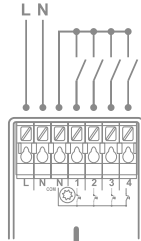
BLE-Taster  
(Kinetic switches)



XPress  
(Casambi)



PushButton  
(CI4AC)



Casambi App  
(iOS & Android)



Sensors



Wireless  
Bluetooth

